

WEATHER STATION **INSTRUCTION MANUAL**

know what you breathe

CONTACT

Address

706, 7th floor, Crown
heights, Rohini Sec-10,
New delhi-110085, India

Phone

73918-73918

Online

Email : info@purelogic.in
Website : www.pranair.com

TABLE OF CONTENTS

SECTION 01 | GETTING STARTED : KNOW YOUR AMBIENT MONITOR

PAGE 4

SECTION 02 | INSTALLATION PROCESS

PAGE 6

SECTION 03 | CONNECTING THE MONITOR TO THE AQI APP

PAGE 13

SECTION 04 | HOW TO LOG IN/ SIGN UP?

PAGE 17

SECTION 05 | SAFETY GUIDE

PAGE 22

SECTION 06 | SAFETY AND MAINTENANCE

PAGE 24

SECTION 07 | SERVICE GUIDELINES

PAGE 26

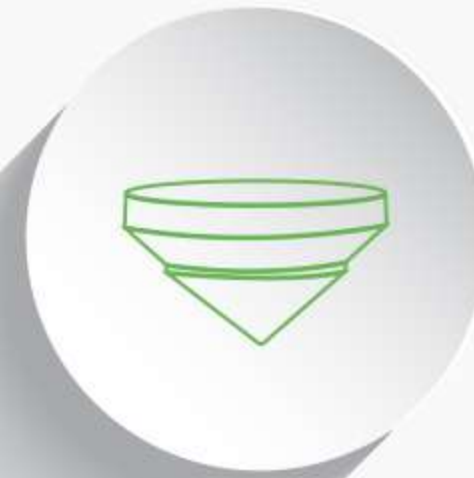
WHAT'S INSIDE **THE BOX**



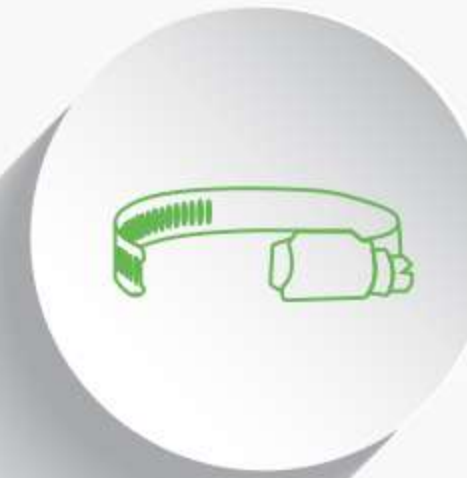
Weather
Station



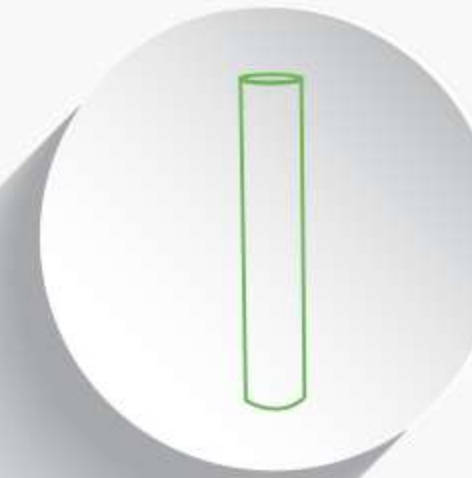
Tool
Pouch



Rainwater
Collecting Funnel



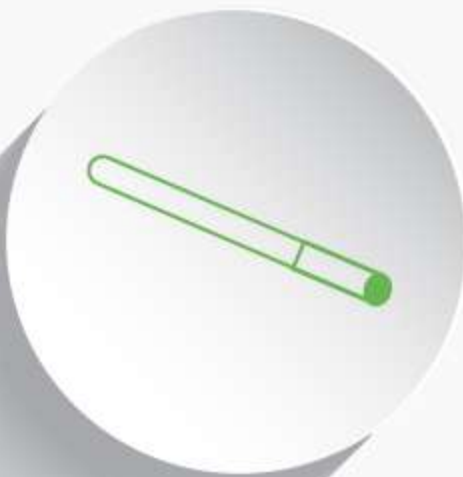
Attachment
Belt



Pole



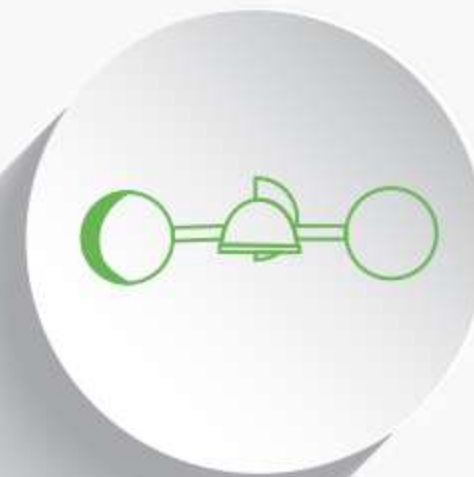
Cable &
Adapter



Antenna



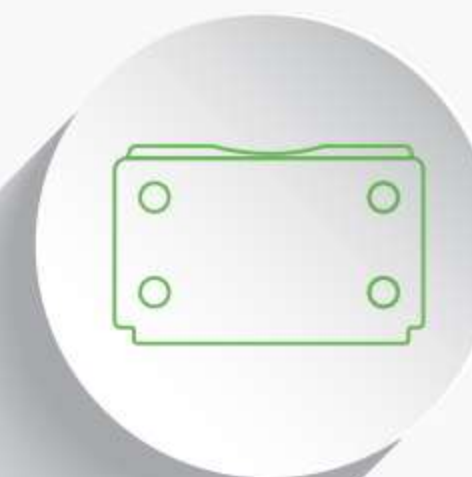
Wind
Vane



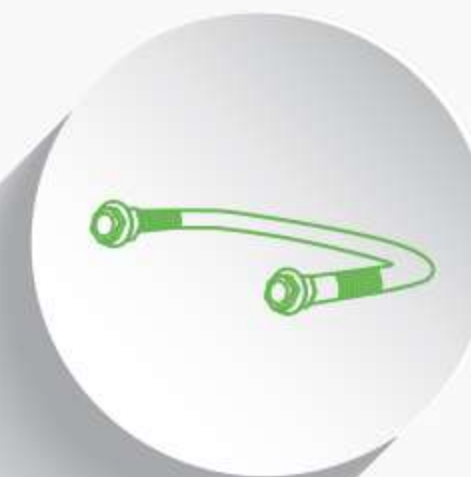
Anemometer



Air Quality
Monitor



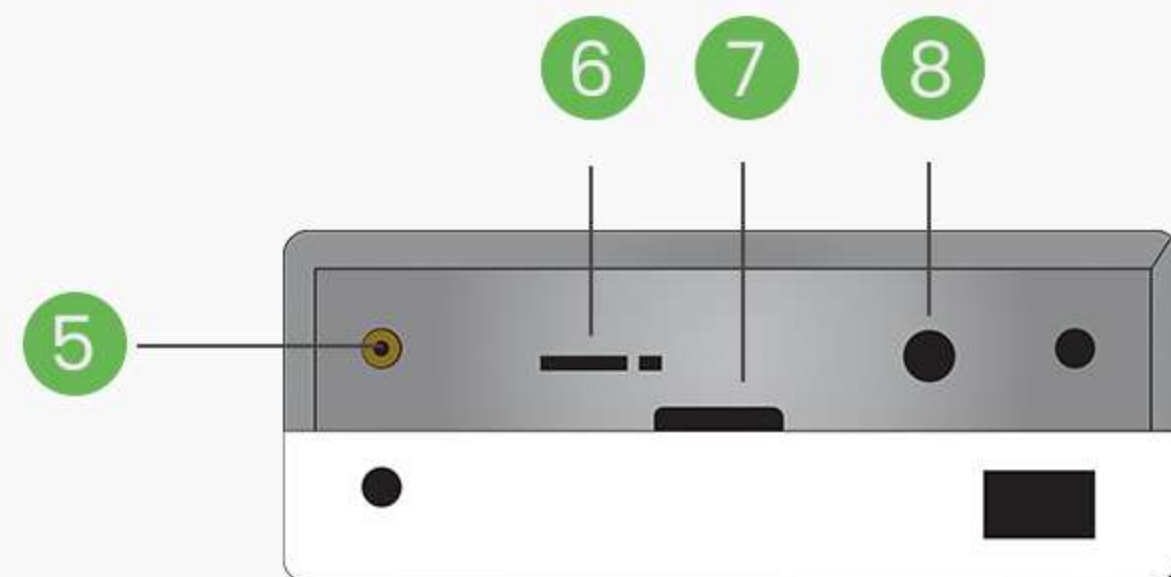
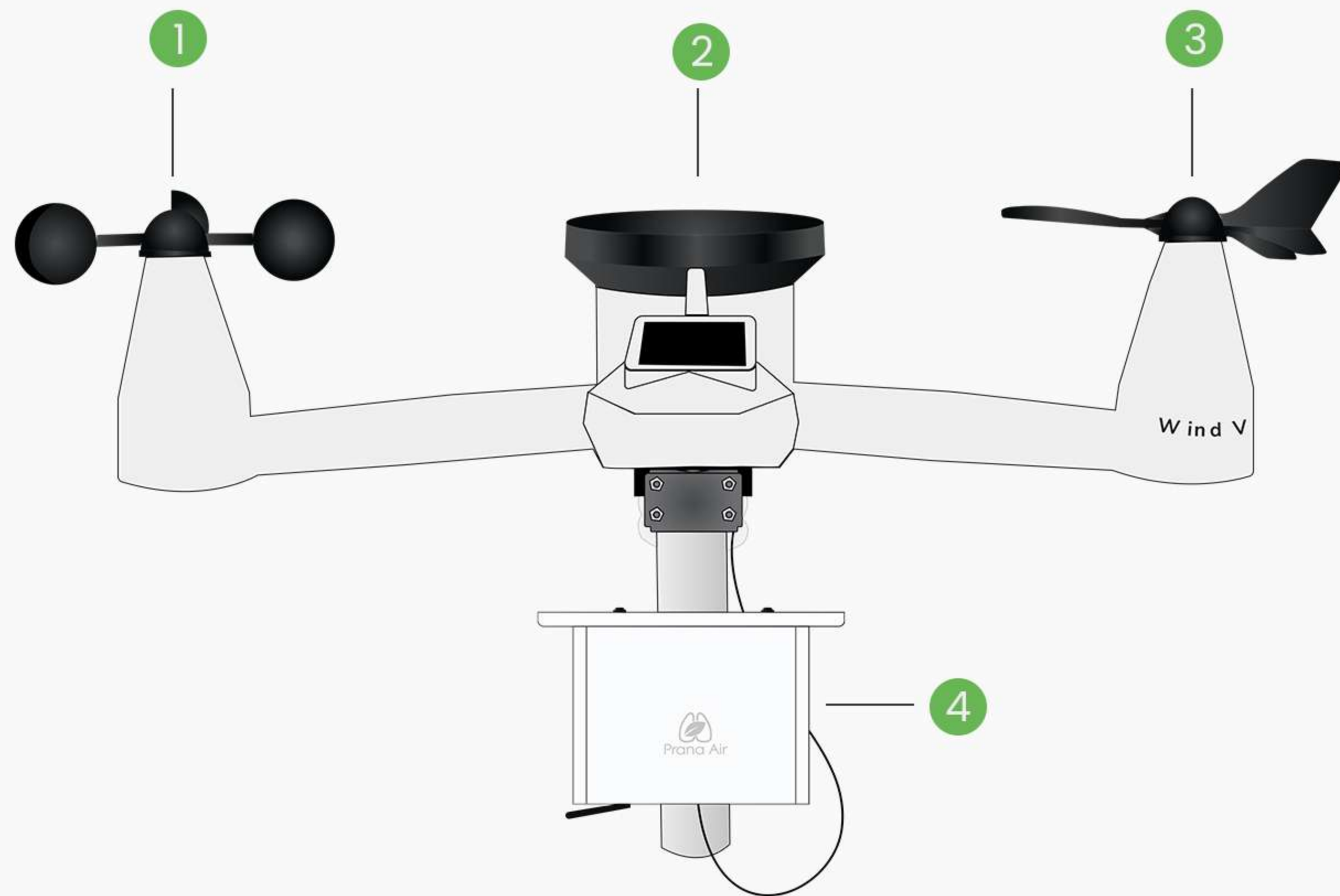
Pole Mounting
Bracket



U-Clamp

Know your Weather Station

General information about the product that explains the basic functionalities of the device.



For your Reference :

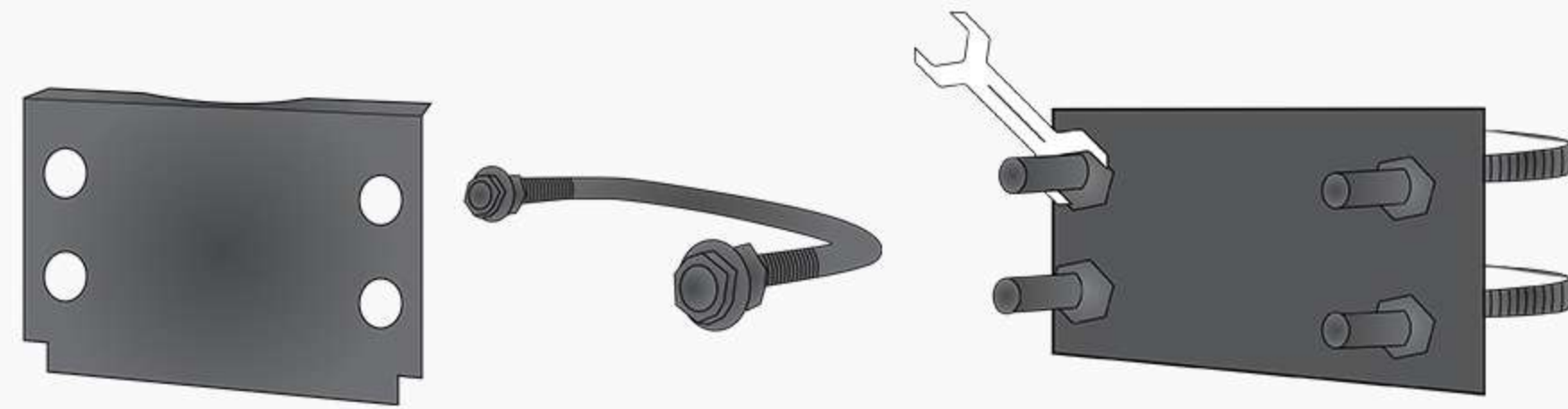
1. Anemometer
2. Rain Collecting Funnel
3. Wind Vane
4. Air Quality Monitor
5. Antenna
6. SIM Card Inlet
7. Power
8. PM Inlet

Installation Process

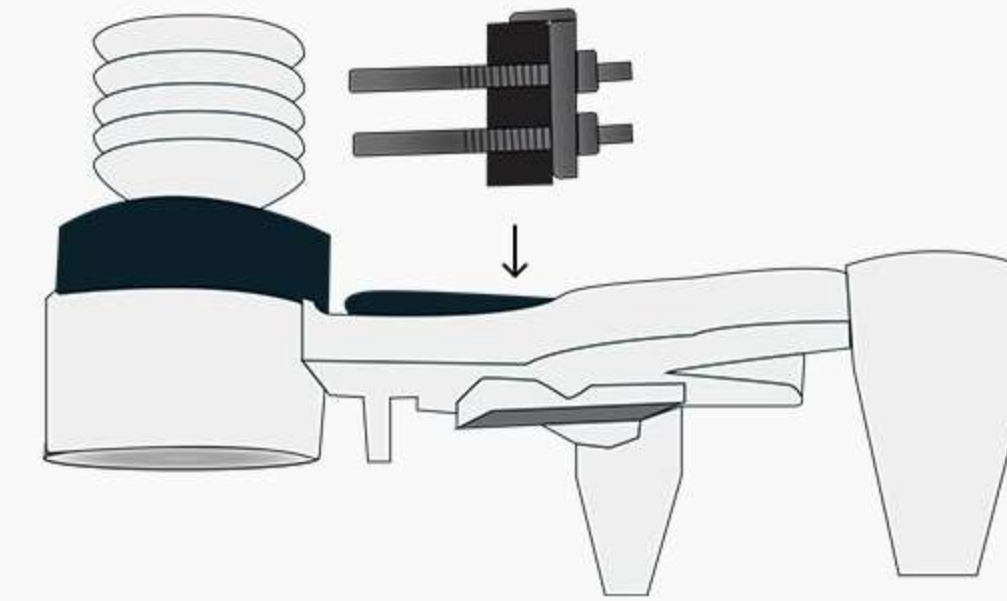
The installation process assists the users to set up the device correctly, minimizing errors, and maximizing the effectiveness of the monitor.

Pole Placement

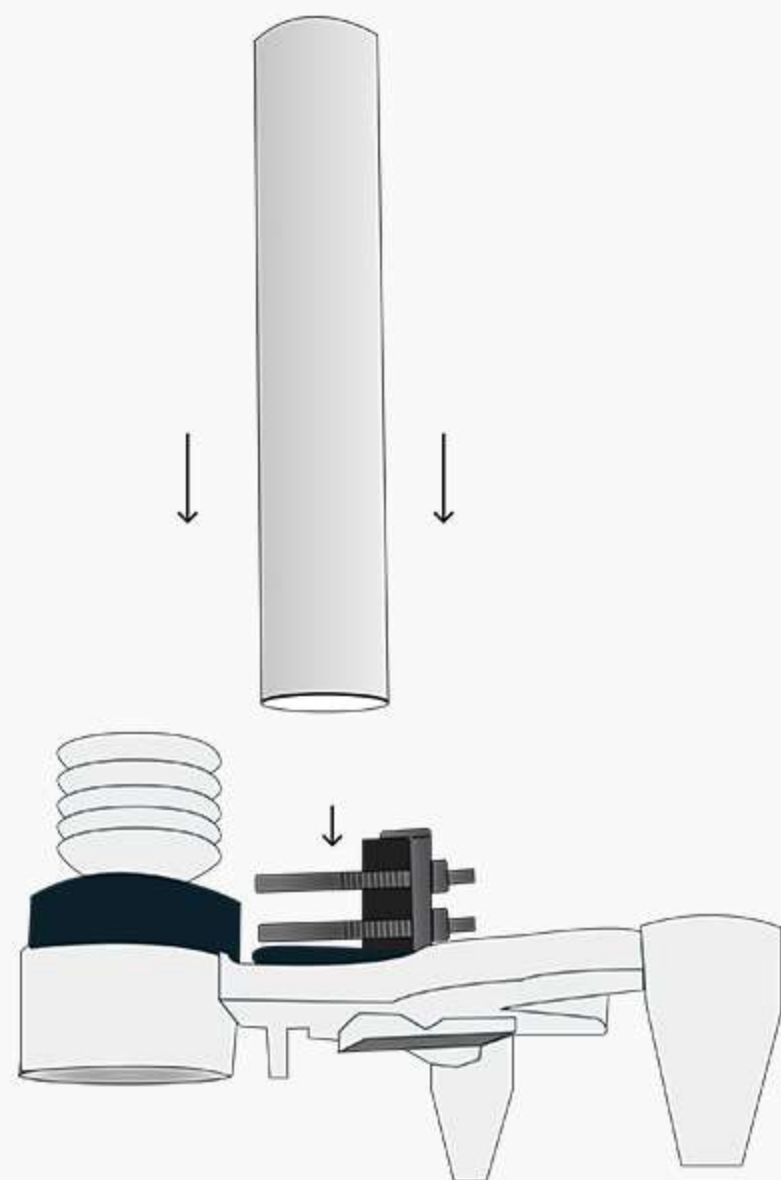
- 1** Align the bracket and U clamp. Screw them to keep them in place.



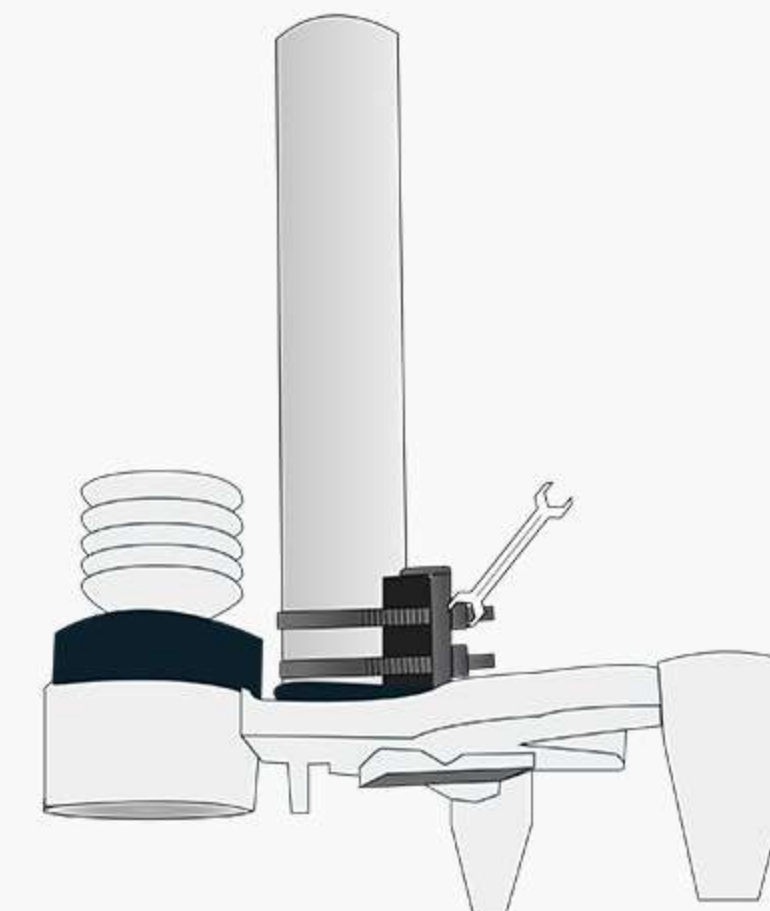
- 2** Align the bracket at the bottom of the weather station



- 3** Insert the rod in the slot created between the weather station and the U Clamp



- 4** Fasten the screw of the U Clamp to tighten the pole and fix it to the weather station.



Rain Collecting Funnel

- 1 Put the rain collecting funnel on top of the weather station.



- 2 Twist it to firmly attach the funnel to the weather station.

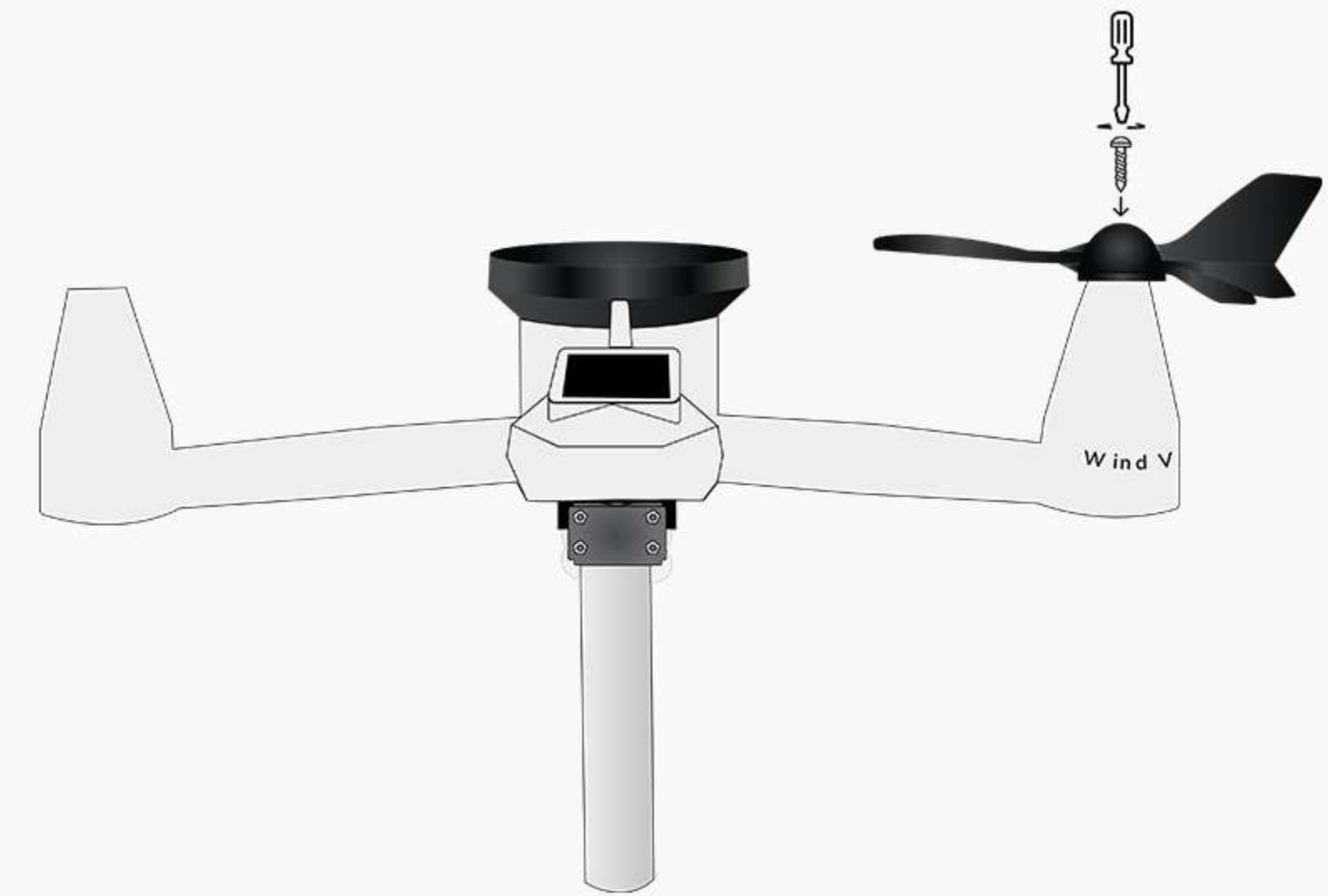


Wind Vane

- 1 Align the wind vane on top the wind vane arm of the weather station as shown in diagram.



- 2 Insert the screw provided in the kit from top to fix it firmly.



- 3 Close the top of the wind vane with the rubber plug provided in the kit

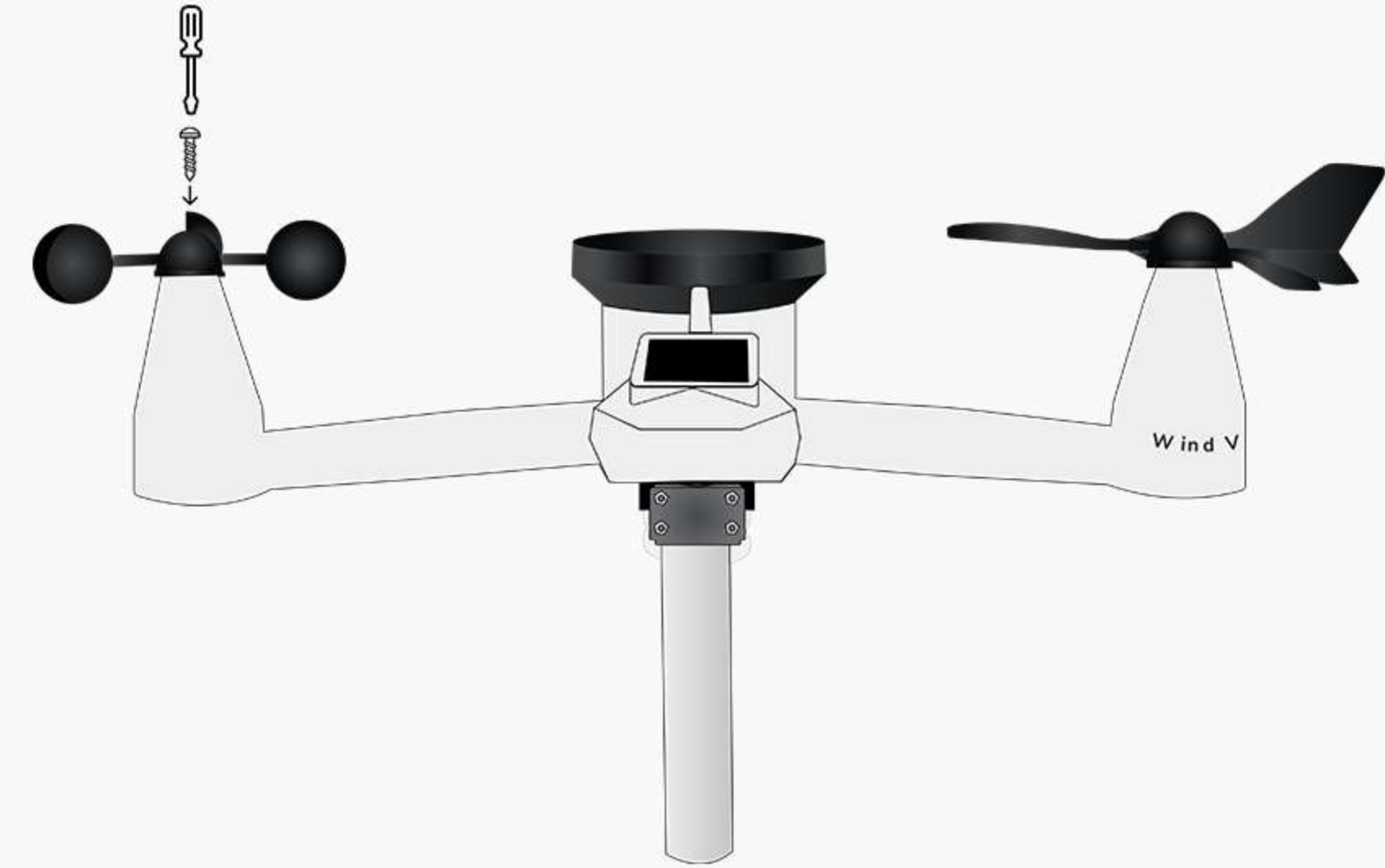


Anemometer

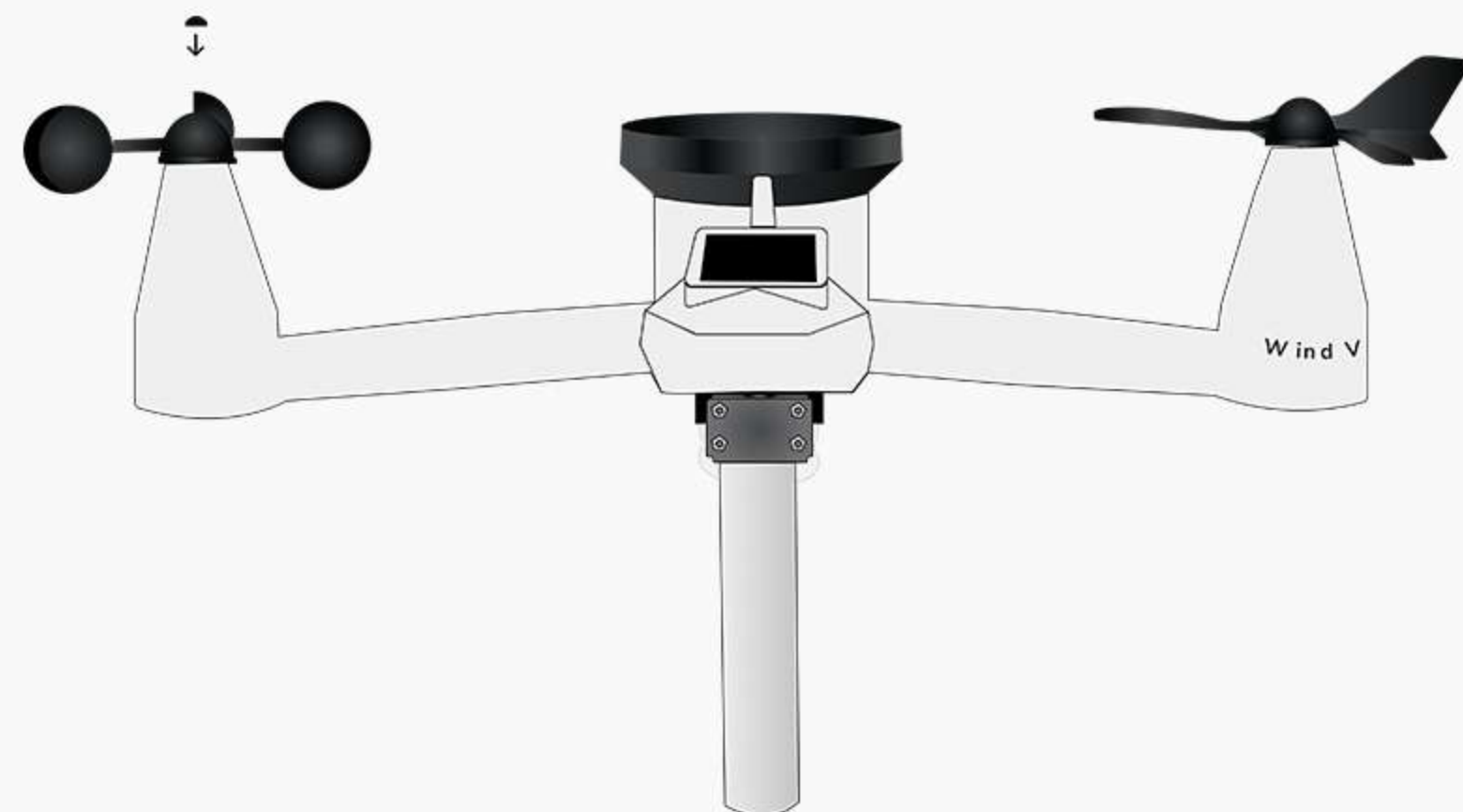
- 1 Align the anemometer cup on the left arm of the weather station as shown in the illustration.



- 2 Insert the screw provided in the kit from top to fix it firmly.



- 3 Close the top of the anemometer with the rubber plug provided in the kit.

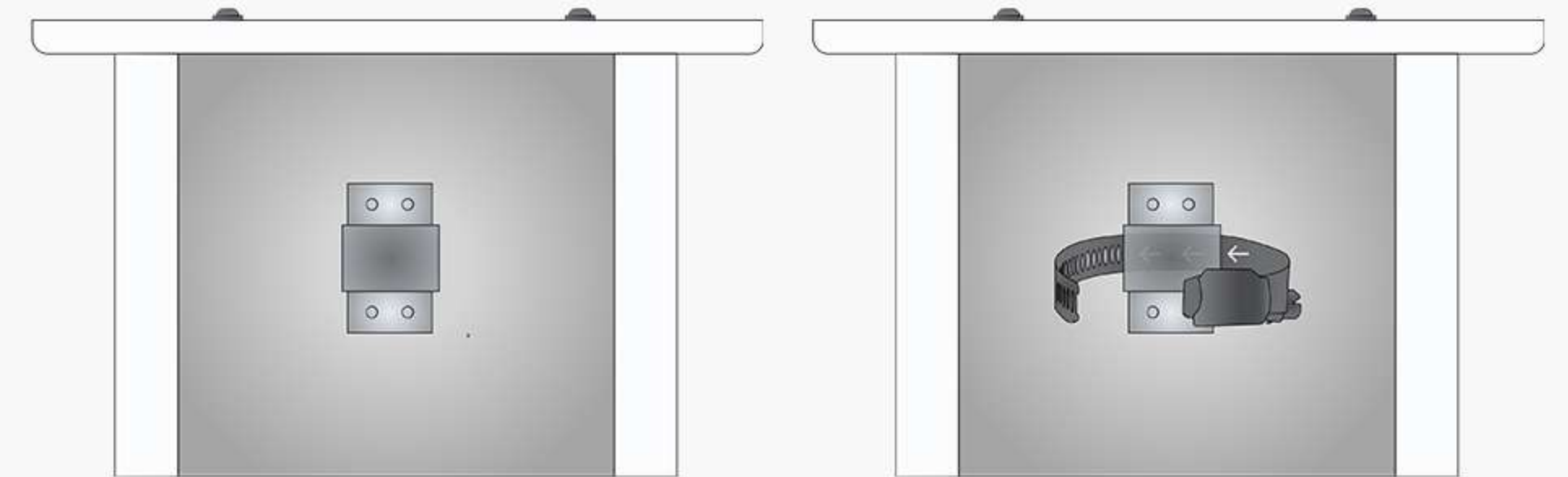


Air Quality Monitor

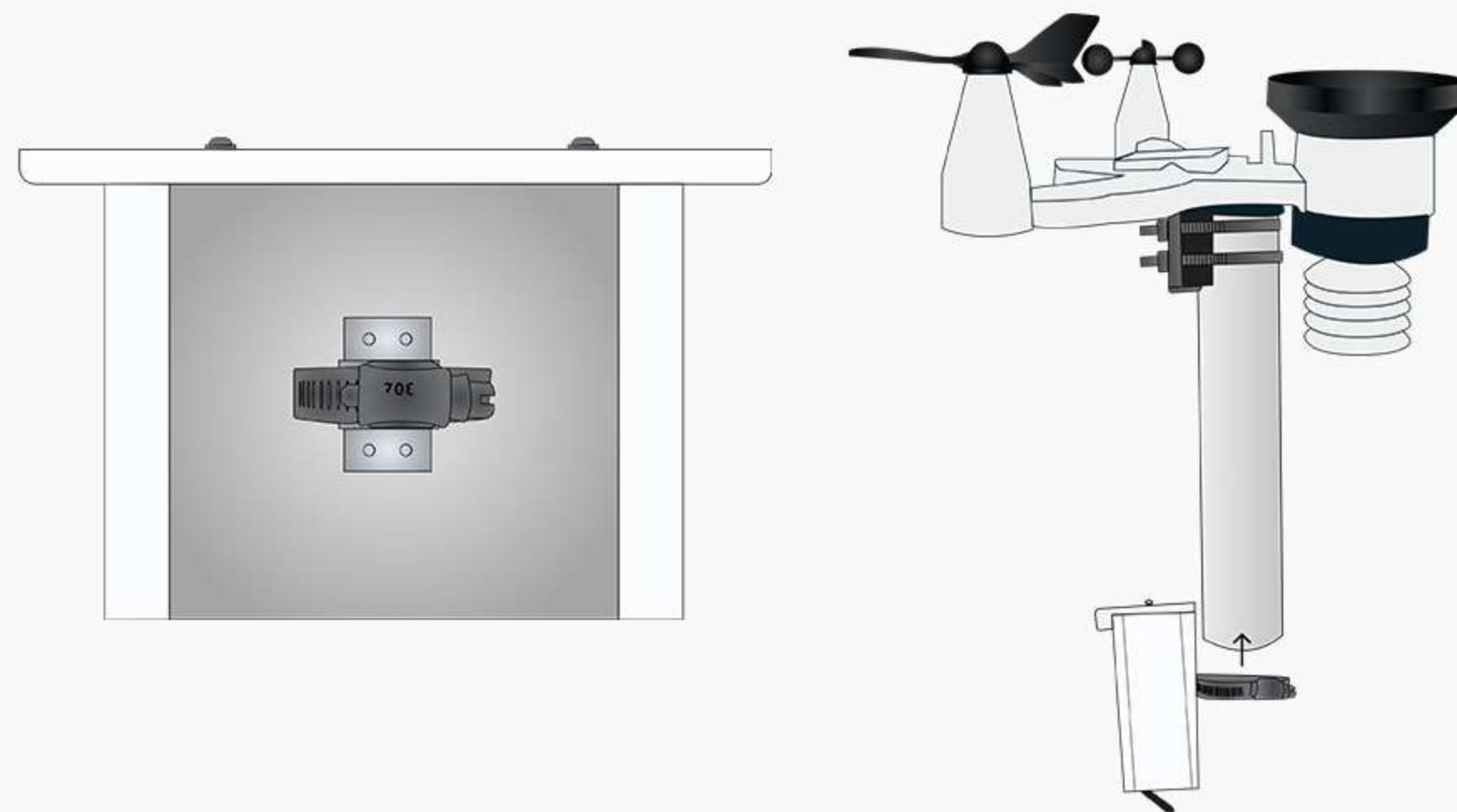
- 1 Unscrew and open the pole mounting belt.



- 2 On back of the monitor, insert the belt in the slot shown in the illustration



- 3 Screw the belt and insert the pole inside the belt.



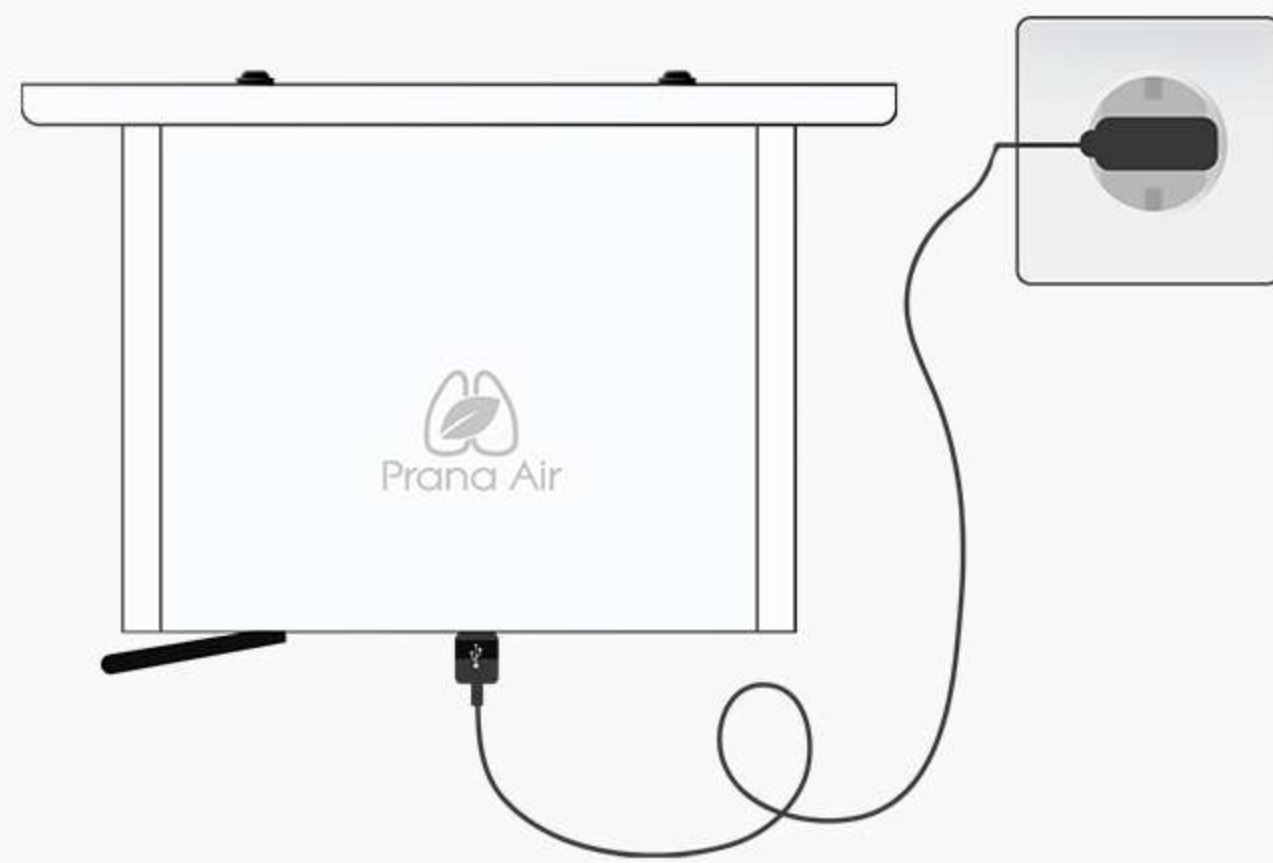
- 4 Tighten the screw to fix the belt firmly on the pole.



Air Quality Monitor-Accessories

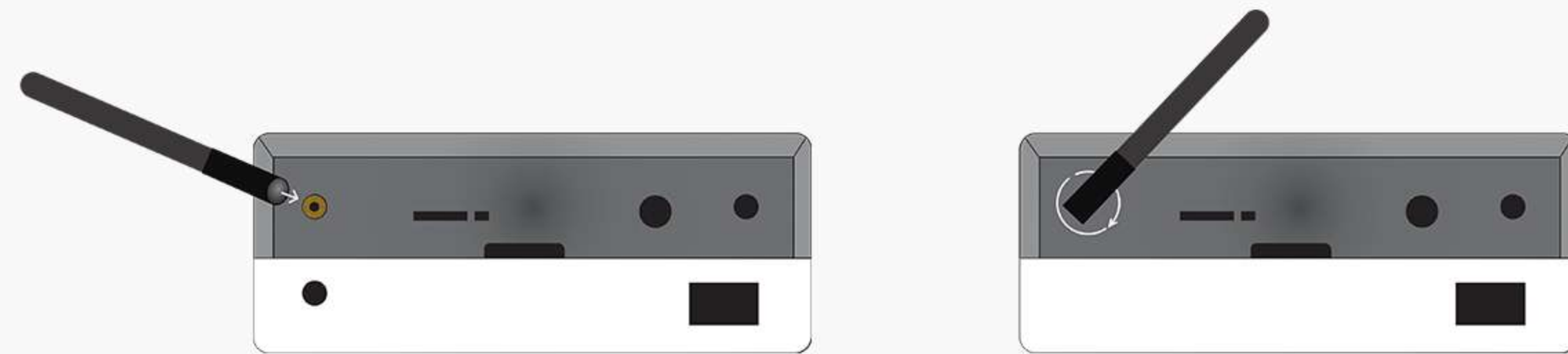
Power Supply

Insert the Micro Usb cable in the port.
Switch on to power the device.



Antenna

Screw the antenna in the slot provided



SIM Card

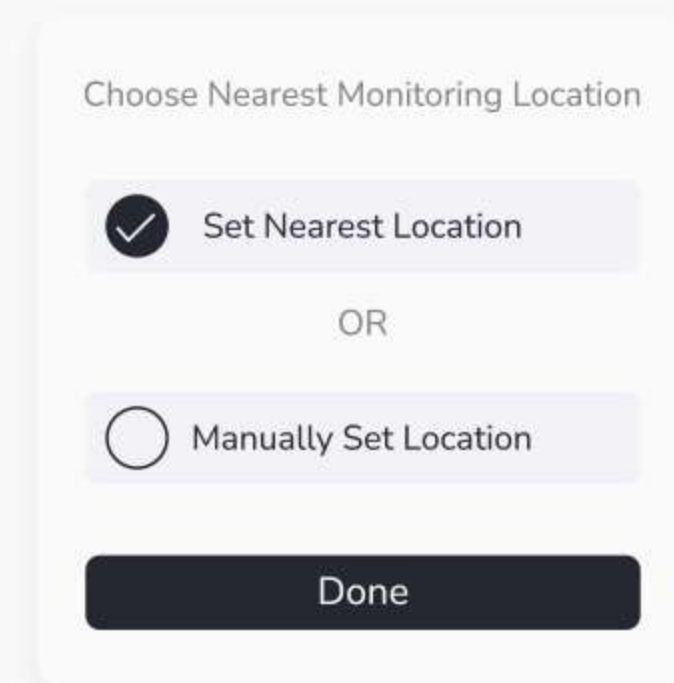
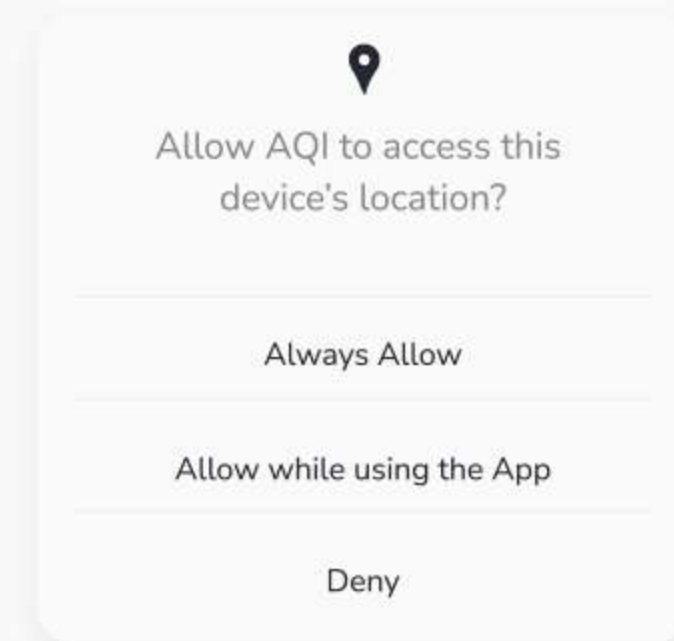
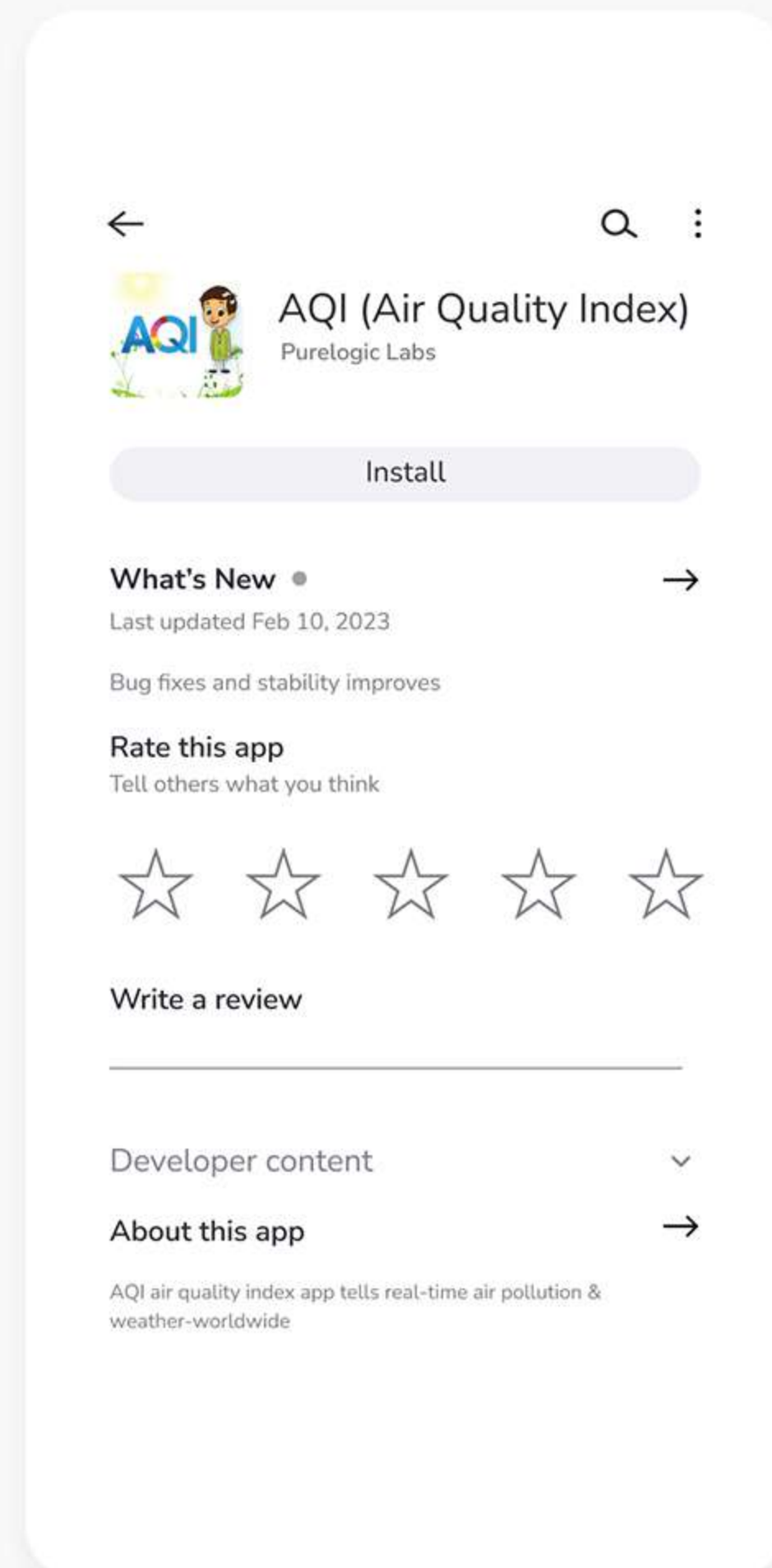
Insert the Sim in slot provided exactly in the position shown.



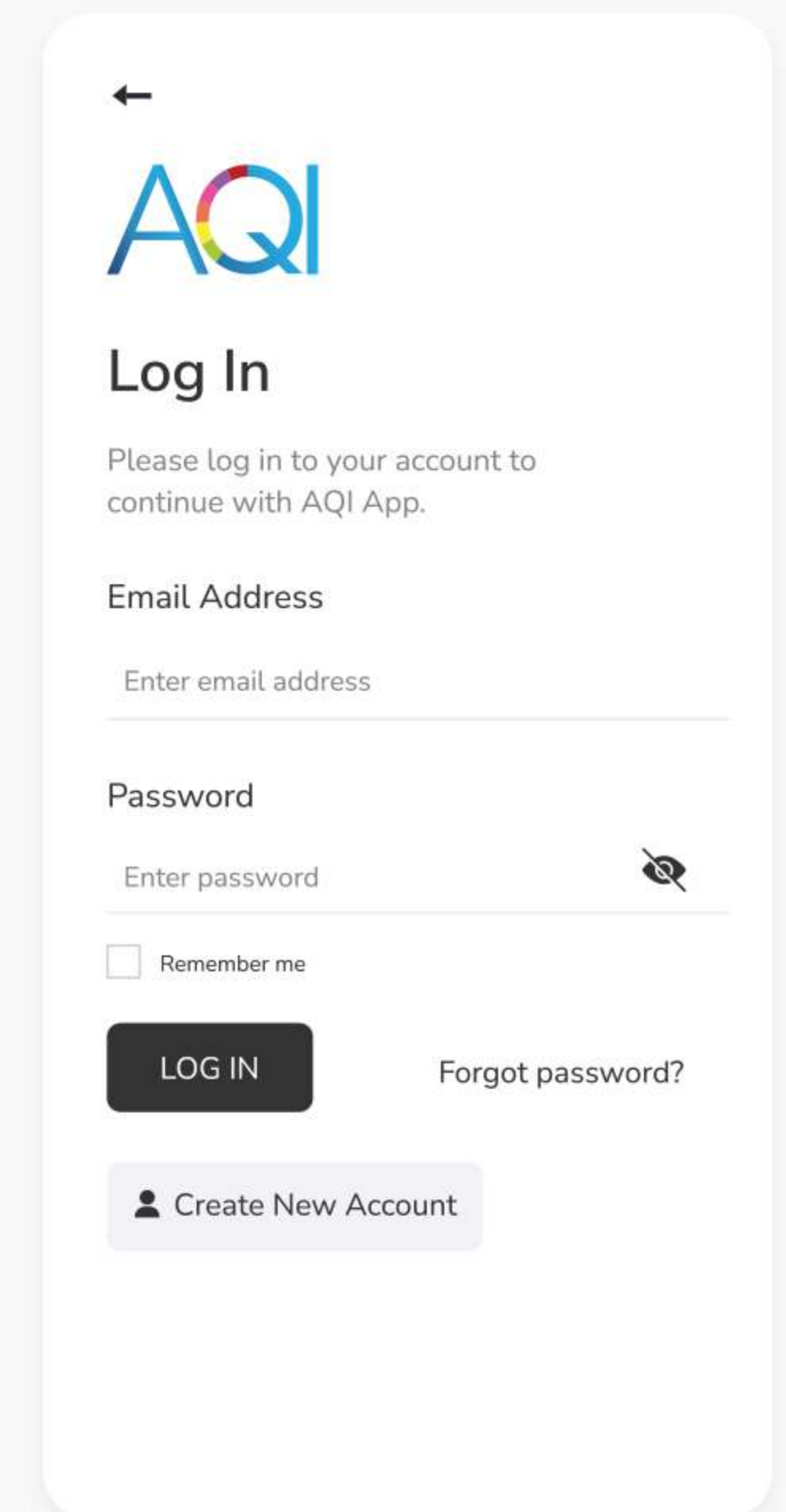
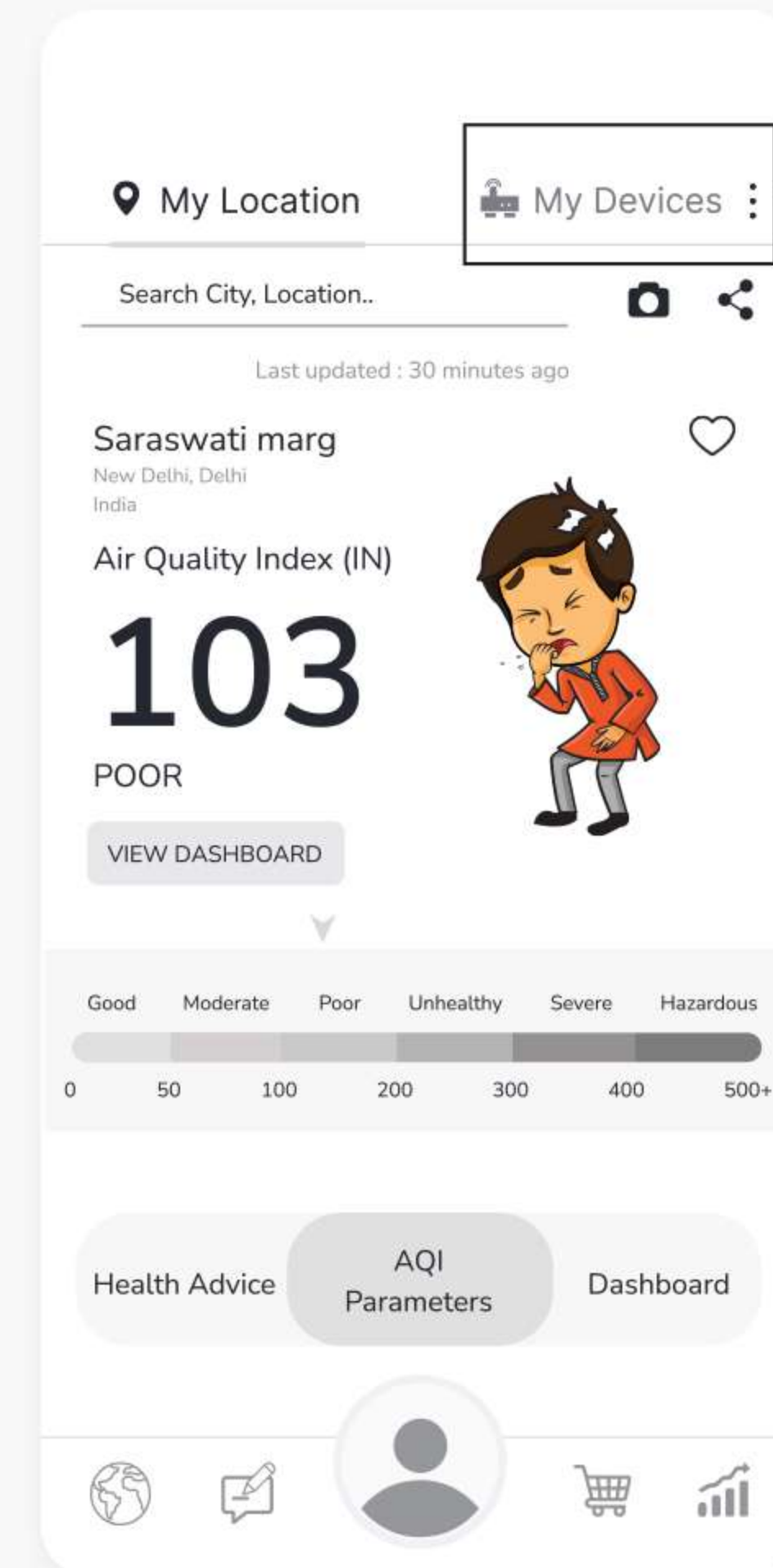
Connecting the monitor to the AQI App

The AQI app serves as a platform for easy access to the data collected by the device.

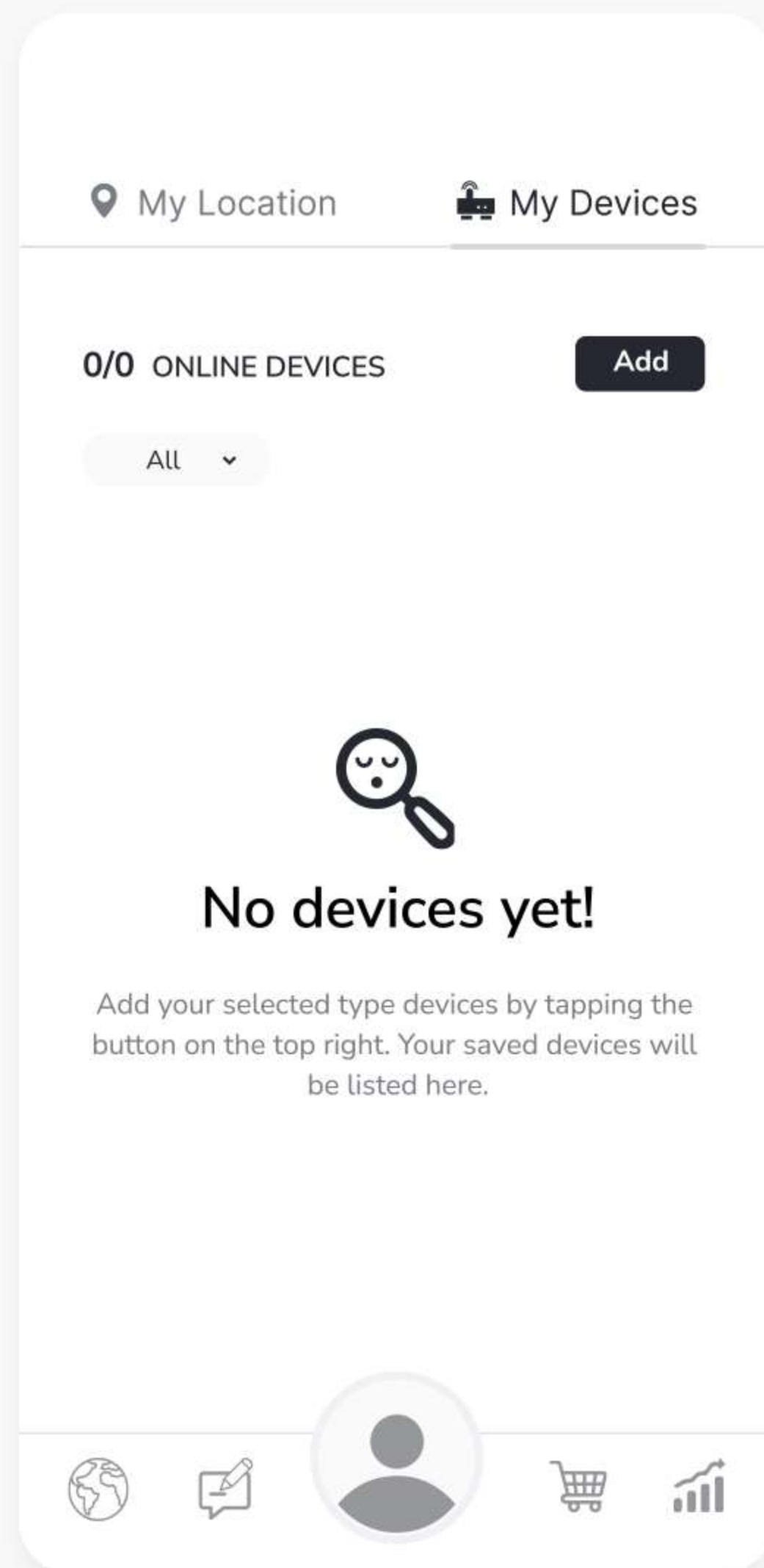
1 Install the AQI App and open it. Allow all the permissions accordingly.



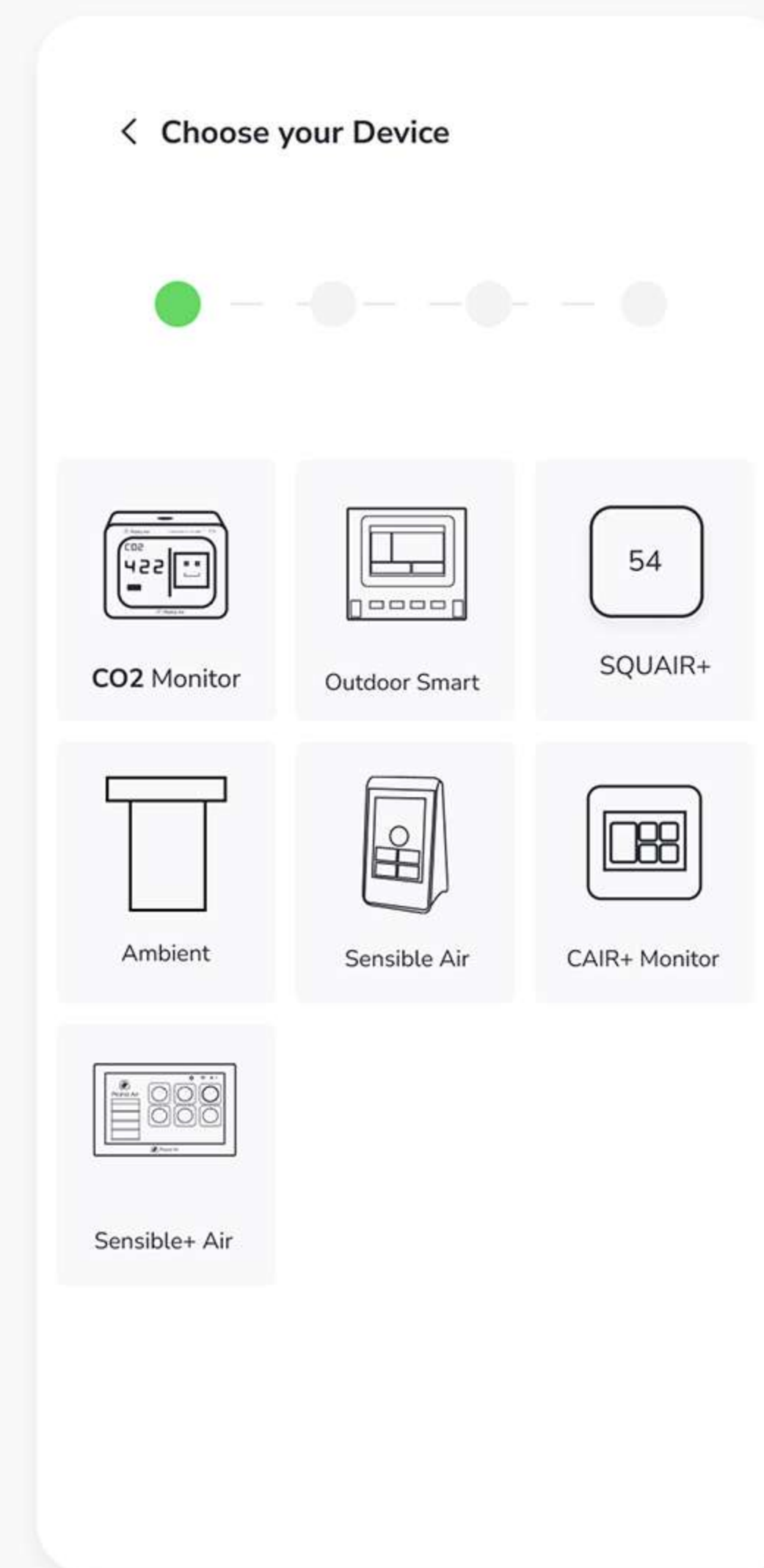
2 Click on "My Devices" to Sign up for creating a new account or Log in if you already have one. For Login/ Sign up procedure, refer to Page 17.



3 Once logged in, Go to "My Devices" and then click on the "Add" button.




4 Then select "Ambient" under the 'Choose your Device' section.



- 5 Enter the device ID present at the bottom side of the monitor and click 'Next'.

< Enter Your Device Id


✓ — ● — ● — ●



Enter device Id

Device Id

Or



Scan Qr Code

- 6 Add all the necessary details and then click on the "Setup" button.

< Configure your Device

✓ — ✓ — ● — ●

DEVICE ID XXXXXXXXXXXXXXXX

DEVICE TYPE Outdoor

DEVICE NAME

Ambient

Select Location Office Enter Location Parking

Enter full address Enter Address here

Area Enter Area here

Sub-Area Enter Sub-Area here

Country India State Delhi

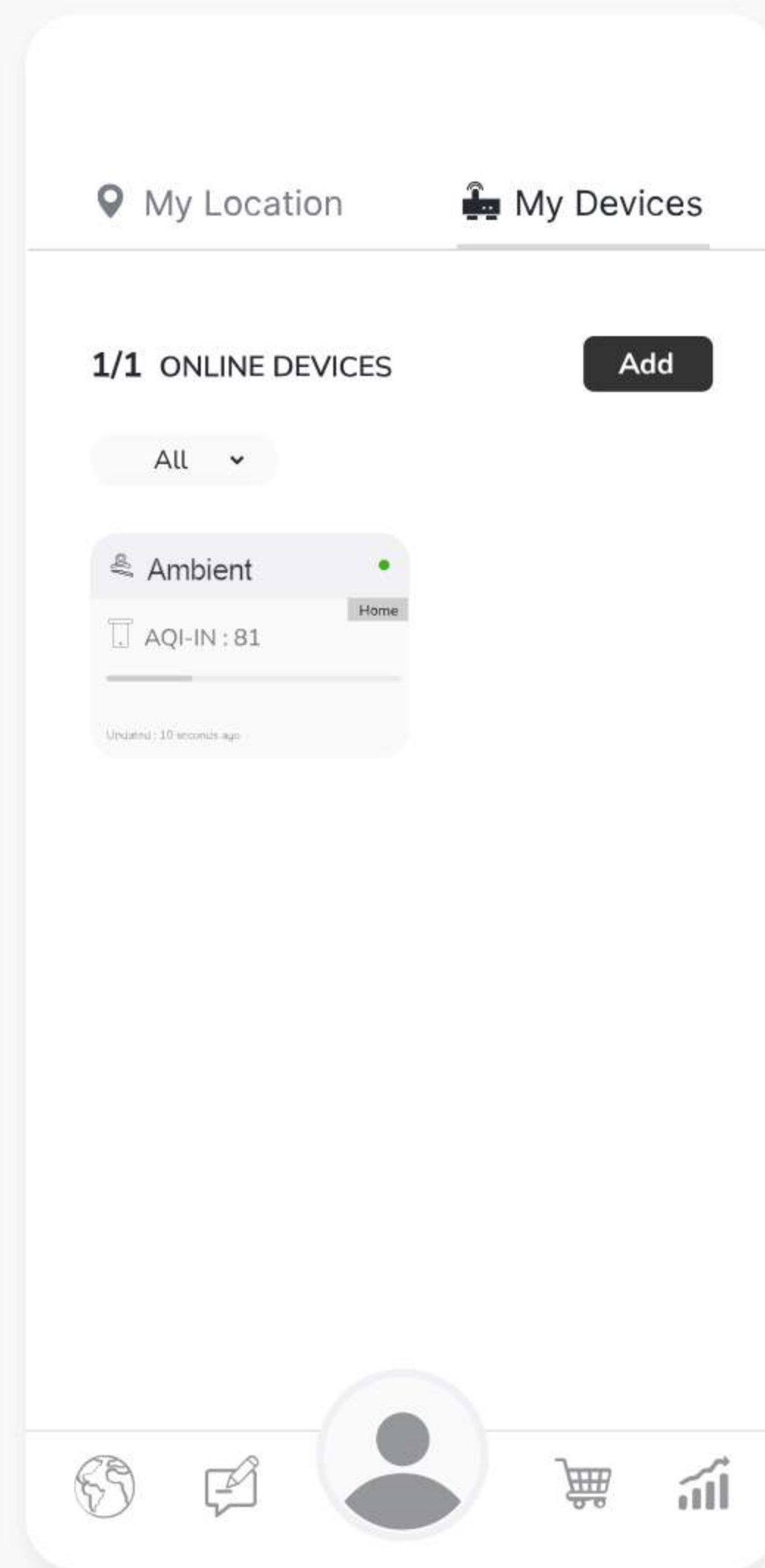
City New Delhi

Setup

How to log in/ sign up?

To provide access control, track monitored data, personalize the experience, and facilitate communication between users and the devices.

7 Your device is added successfully. You can see your added devices under **"My Devices"** section of the AQI App. Check device online status after 5 mins. If offline, verify power source, SIM card orientation and data availability.



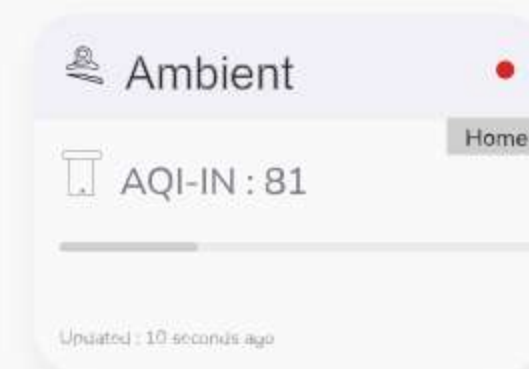
NOTE:

Please ensure the device is successfully added to the AQI app and has established an online connection.

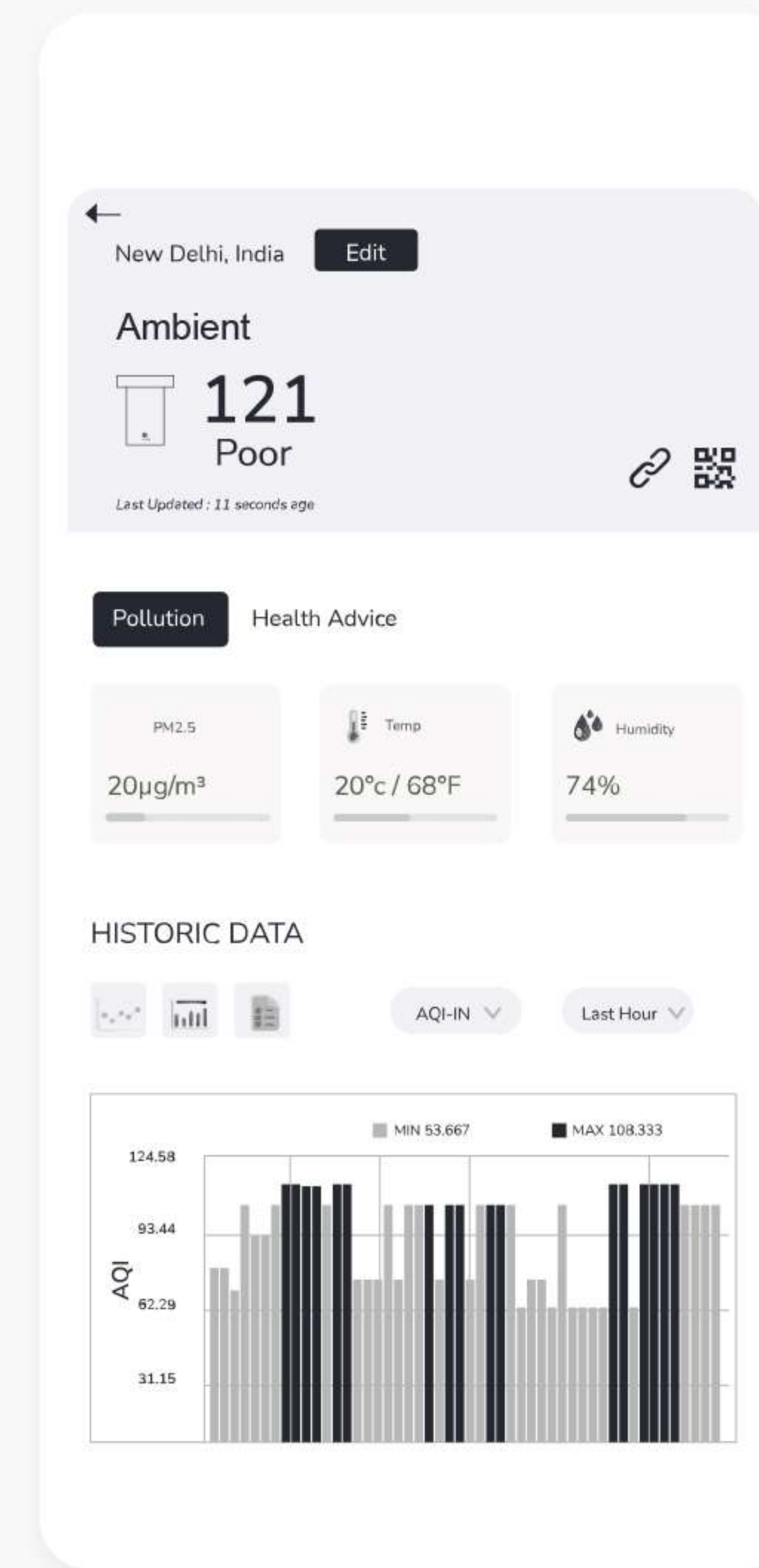
Status :
Device Online



Status :
Device Offline



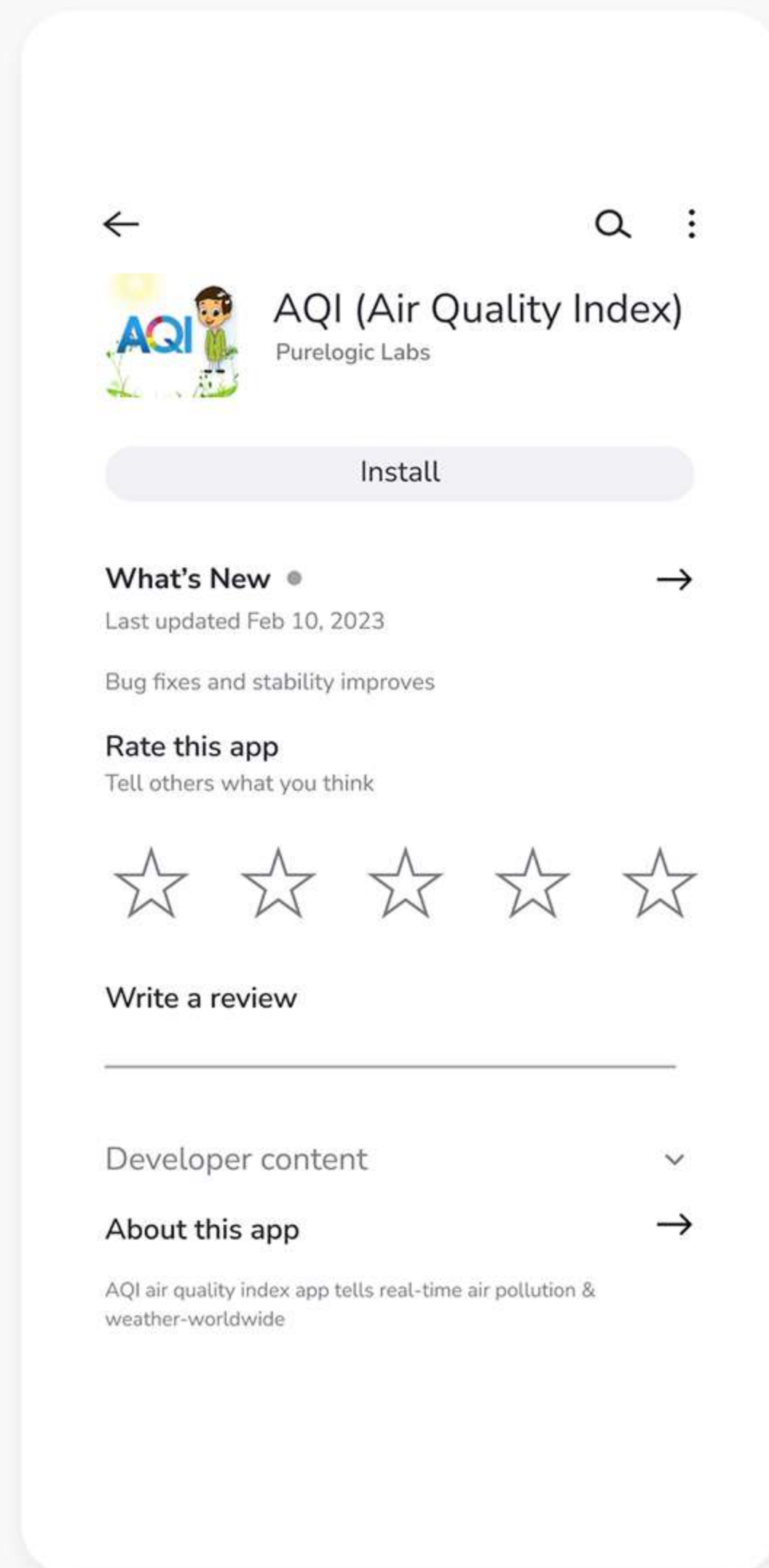
8 Click on your device card in "My Devices" to get a detailed view of the monitored data. Click on the **"Edit button"** to edit the details of the device.



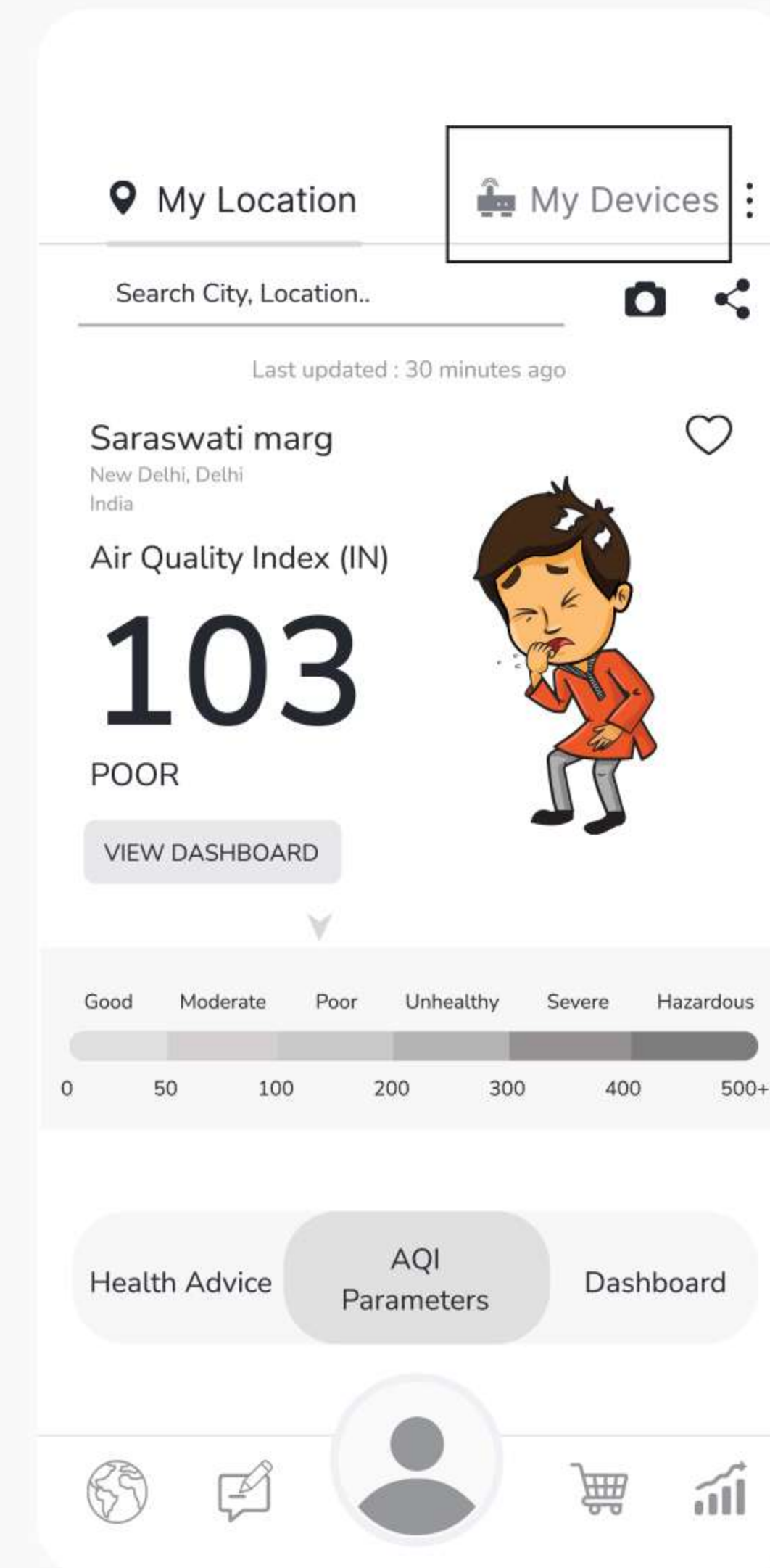
NOTE : The device will continue to display as online for 30 minutes even after going offline.

Sign Up :

1 Install the AQI India app on your smartphone.



2 Open the app and click on "My Devices" from the top right corner of the screen.



- 3 Click on the "Create New Account" button.

←

AQI

Log In

Please log in to your account to continue with AQI App.

Email Address

Enter email address

Password

Enter password

Remember me

LOG IN [Forgot password?](#)

Create New Account

- 4 Add the necessary details. Click on the checkbox after reading all the terms and conditions and privacy policies. Then click on the "Sign Up" button.

←

AQI

Create Account

Please sign up to your account to continue with AQI App.

Username

Enter username

Email Address

Enter email address

Password

Enter password

Mobile No

91+ Enter mobile

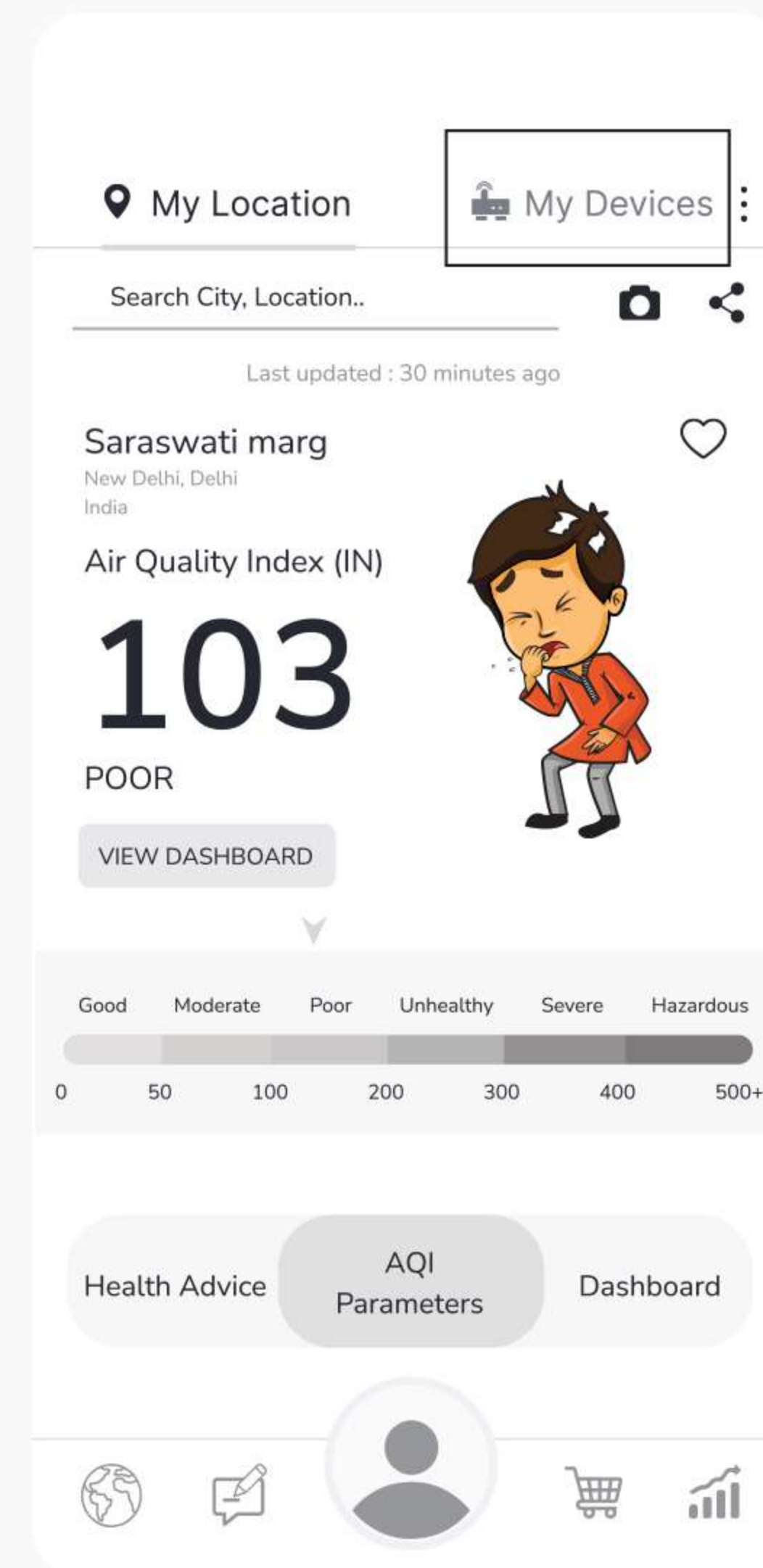
Yes, I agree with AQI [Terms of Use](#) and [Privacy Policy](#)

SIGN UP

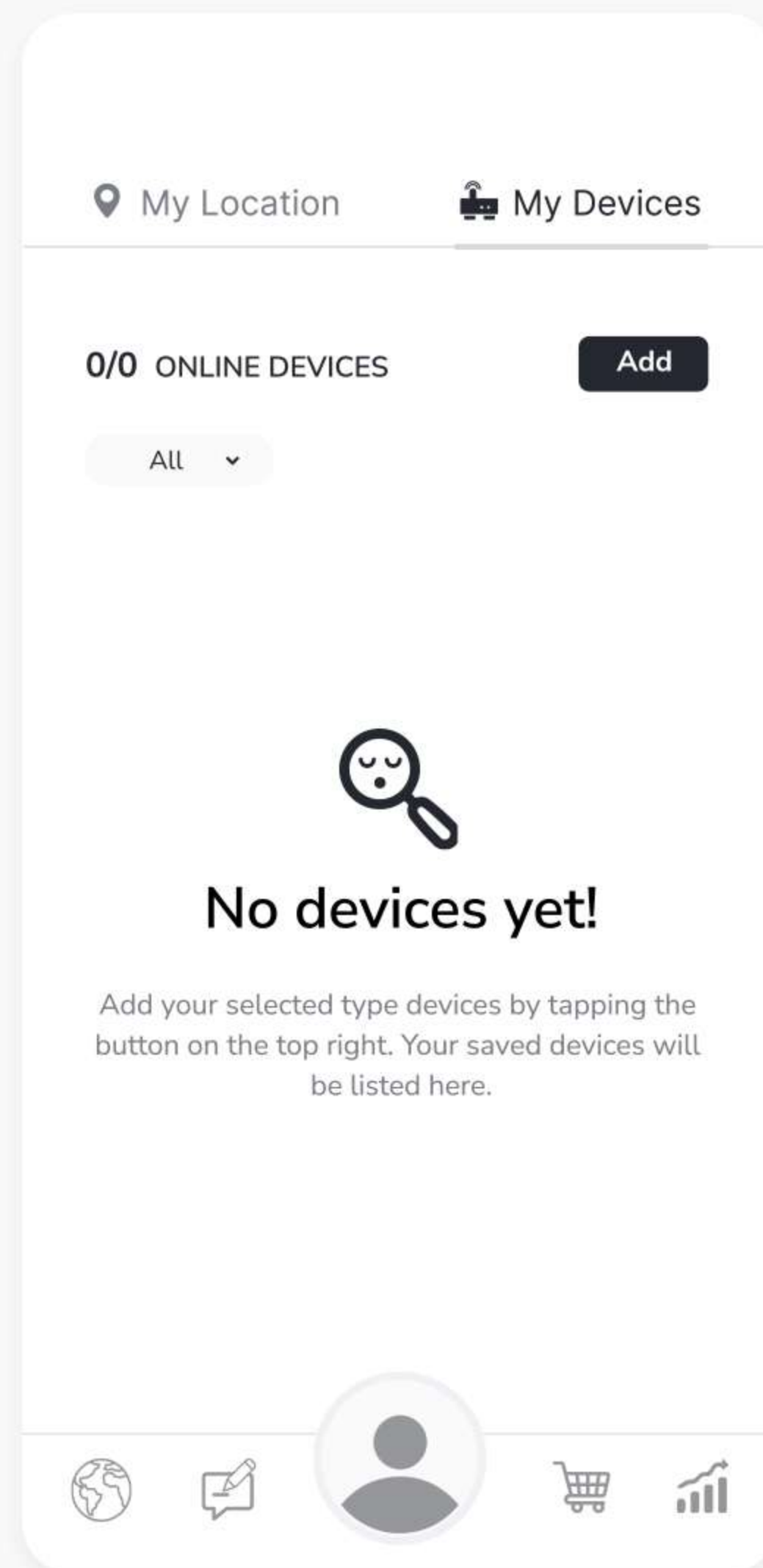
[Already have an account](#)

Login :

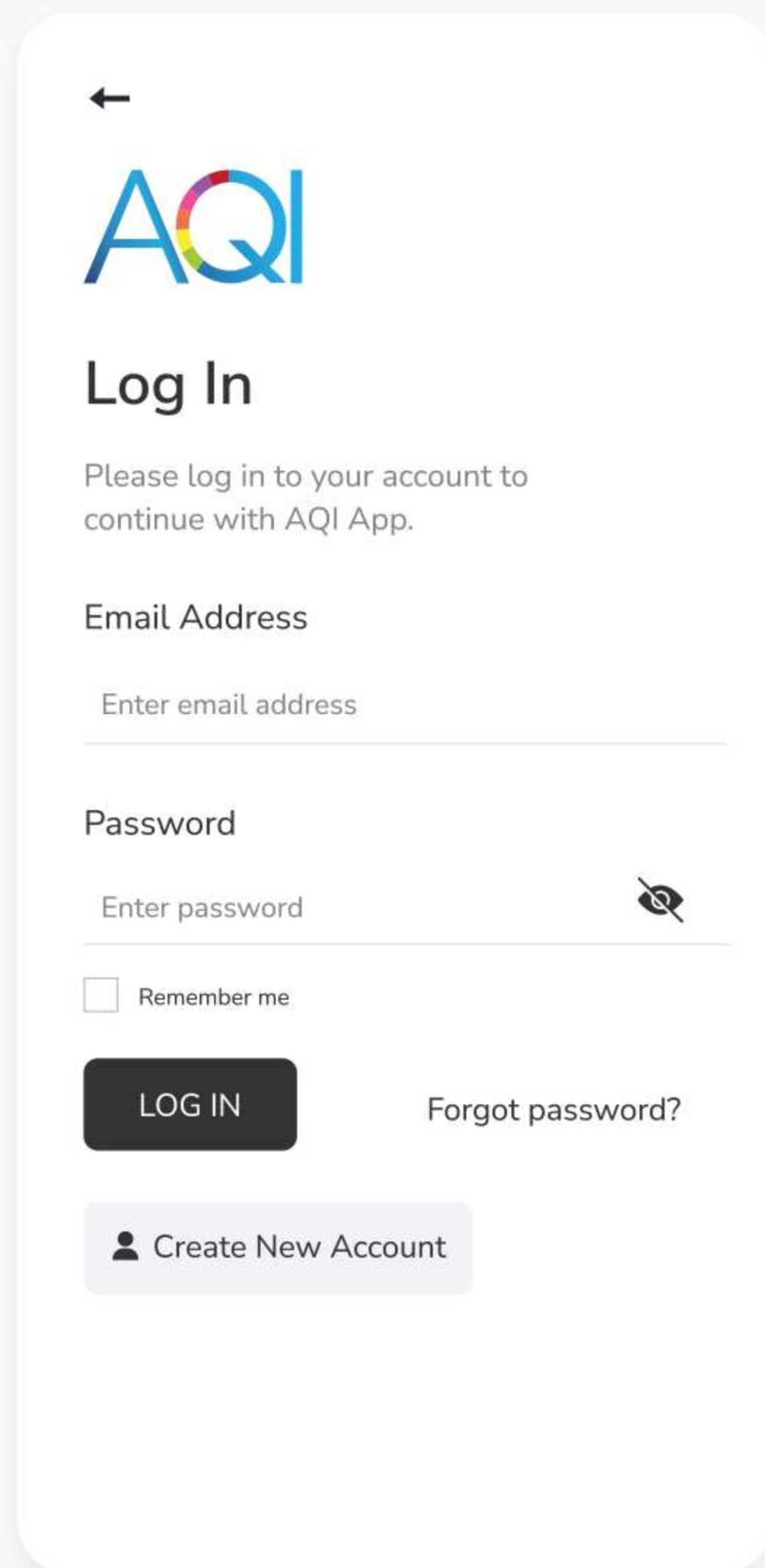
- 1 Open the app and click on "My Devices" from the top right corner of the screen.



- 5 Your account is created. You will be redirected to 'My Devices' section where you can add different devices.

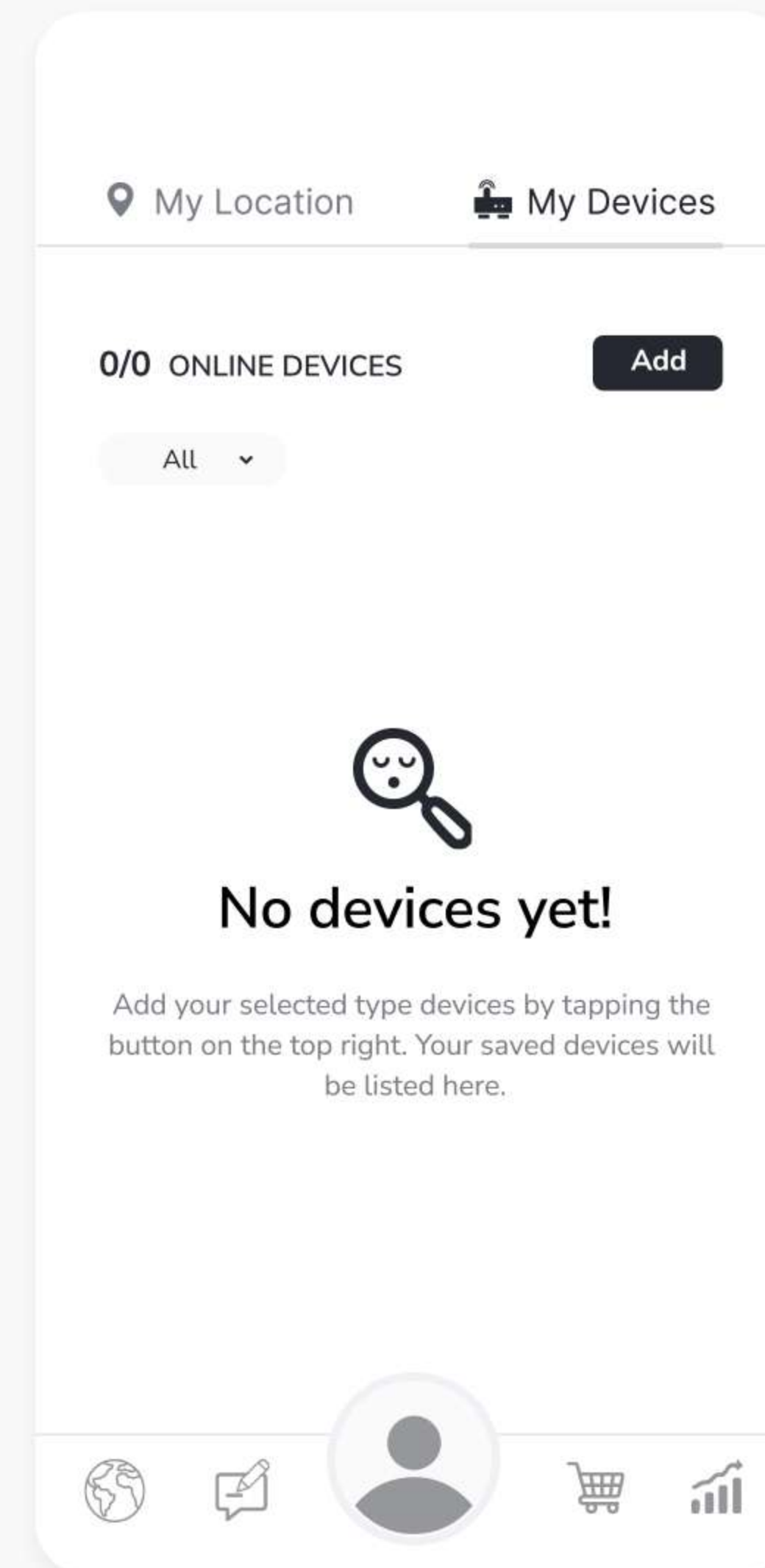


- 3 Enter your credentials and then click on the "Log in" button.



The screenshot shows the login page of the AQI app. At the top left is a back arrow. Below it is the AQI logo. The title "Log In" is centered. Below the title is a message: "Please log in to your account to continue with AQI App." There are two input fields: "Email Address" with the placeholder "Enter email address" and "Password" with the placeholder "Enter password" and a toggle icon. Below the password field is a "Remember me" checkbox. At the bottom left is a dark "LOG IN" button, and to its right is a link "Forgot password?". At the very bottom is a light button with a person icon and the text "Create New Account".

- 4 You have now successfully logged in to your account. You can easily add devices and check the data remotely 24*7.



Safety Guide

To ensure safe and proper usage of this product, please refer to the following safety guide before operating the device.

- 1 **Read the manual carefully:** Read and follow the user manual before using the device.
- 2 The housing of the device is weatherproof but submerging the device in water should be avoided to prevent corrosion or short circuit in the PCB.
- 3 **Precautions for potential hazards:** Take appropriate precautions if you are aware of any potential hazards or risks related to the specific environment you are monitoring.
- 4 **Accessories:** The user has the option to use an alternative adapter (with the same power rating) and USB cable. Use other accessories such as screws and wall mount provided by Prana Air only.

NOTE:

The user can also opt for an alternative 5V/2.5A adapter.

Safety and maintenance

The safety and maintenance section of this product manual provides important information on how to use and maintain the device in a safe and reliable manner.

- 1 Having a comprehensive understanding of the safety and maintenance instructions for the device can enable you to use the device more safely and efficiently, and help to extend its lifespan as much as possible.
- 2 Make sure to turn on the device properly and assemble its accessories correctly.
- 3 The adapter is not waterproof. Keep it in an enclosed waterproof enclosure to prevent corrosion or shocks.
- 4 If the weather station is not functioning properly, do not attempt to repair it yourself. Contact us to diagnose and repair any issues.
- 5 Store the weather station in a cool, dry place when not in use. This will help increase the shelf life of the device.
- 6 Do not drop, shake, or knock the device. Violent usage may damage the internal circuitry.
- 7 Do not paint the device with paints or other chemicals. It may affect the accuracy and normal operation of the device.

Service Guidelines

This section outlines the recommended maintenance procedures and service requirements for ensuring the optimal performance and longevity of the device.

A. Warranty Terms

- 1 The device comes with a 1-year warranty against manufacturing defects.
- 2 A valid proof of purchase is required to be eligible for repairs or replacements.
- 3 Warranty will be void in case of physical damage.

B. Sending and Retrieving the Device for Repair

- 1 The customer must provide the necessary information, such as name, contact number, and fault description, to complete the repair work order.
- 2 If payment is made by cheque, the device can only be retrieved after the cheque has cleared.

C. Warranty Description

- 1 The warranty will not be covered in the following scenarios:
 - 1.1. Warranty period has expired.
 - 1.2. No valid proof of purchase is provided.
 - 1.3. The product on the valid proof of purchase is different from the actual product or the proof of purchase has been altered.
 - 1.4. The device is damaged due to improper usage or maintenance.
 - 1.5. The device has been repaired or disassembled by an unauthorized person.
 - 1.6. Damages due to force majeure.
- 2 Both national and international services can be availed only at Prana Air's office.
- 3 All replaced parts, components, and accessories during warranty services will be kept by the Prana Air service center.



Prana Air

Visit us :

www.pranaair.com